

DICOM box[®] CA

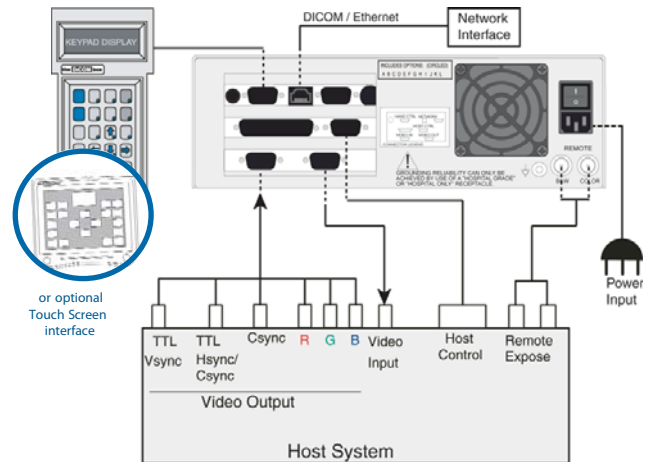
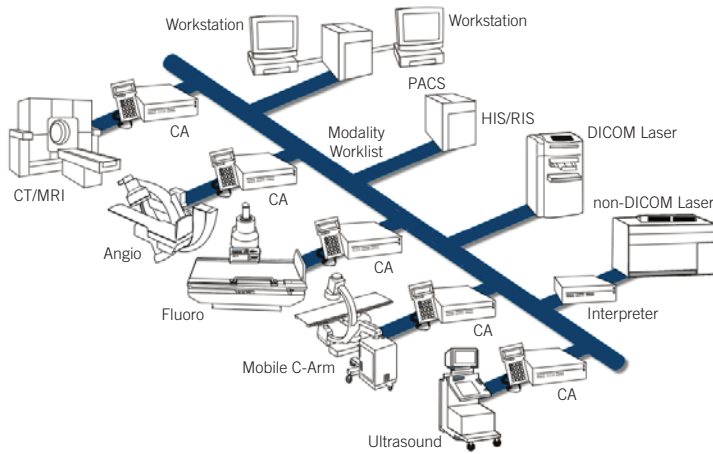


Connect any video imaging system to PACS/EHR

DICOM box[®] CA is a universal DICOM interface to connect virtually any video imaging system to PACS/EHR—an ideal solution to create flexible and scalable DICOM and DICOM Print networks. **DICOM box CA** captures single frame images or last image hold with a maximum resolution of 2048 x 1024. DICOM box has been validated with over 1,000 modalities. An optional display enables playback review of dynamic images and cine loops. The **DICOM box CA+** option allows you to capture cine clips and real time video.

Features

- ✦ Configurable DICOM Services
 - DICOM Print
 - DICOM Store
 - Modality Worklist
 - Modality Performed Procedure Step (MPPS)
 - Storage Commitment
- ✦ Compatible with over 1,000 modalities
- ✦ Optional touch screen interface
- ✦ OCR (optical character recognition)
- ✦ Quick network disconnect for mobile applications
- ✦ Remote foot or hand switch control interface
- ✦ Host Control interface - optional



Specifications

DICOM Service Classes (configurable)

- DICOM Print
- DICOM Store
- Modality Worklist
- Modality Performed Procedure Step
- Storage Commitment

Standard Video Input (terminated, 75 ohms)

- Monochrome composite video into Green input
- Red, Green, Blue (RGB) and composite sync
- Can be configured for sync on green & separate sync
- Nominal 525/625 lines 30/25 fps
- Interlaced or non-interlaced
- Pixel Clock Minimum: 7 MHz
- Pixel Clock Max: 166 MHz High Rate

Optional Remote Operator Interface Keypad

Optional Color Print Capability

- Image Matrix Max: 1600 x 2046 RGB and B/W

Video Acquisition

Single Frame Monochrome & Color Capture

- Up to 2048 x 1024, 166 MHz, 8 bit mono, 24 bit color

Internal Storage

- 2.2 GB or greater Hard Drive

Network

- Ethernet 10/100 - selectable

Connectors

- Video I/O High Density DB15, female pins
- Network: 8 pin modular jack (RJ45)
- Operator Interface Keypad: DB9, male pins
- Host Control Input: DB9, male pins
- Remote Capture Input: BNC, female pins

Power Input

- 115-230 VAC, ±15% 47-63 Hz, 120 VA

Dimensions

- H W D 8.25 cm (3.25") x 25.72 cm (10.125") x 35.88 cm (14.125")
- Weight: 3.68 kg (8 lbs.)

Keypad

- H W D 18.16 cm (7.15") x 10.41 cm (4.10") x 2.41 cm (0.95")
- Weight: 227 g (8 ounces)

Environmental Operating

- Temperature: +50°F to +104°F, (+10°C +40°C)
- Barometric pressure: 700 hPa to 1060 hPa
- Relative Humidity: 5% to 80% non-condensing

Transit

- Temperature: +14°F to +122°F (-10°C to +50°C)
- Relative Humidity: 5% to 85% non-condensing

Clearance Requirements

- 3 inches (7.6 cm) for rear panel cable connection
- Do not obstruct ventilation airflow at front and rear of module

Classification

- IEC 60601 Class I, Type B
- EN 60601-1-2 Class B, Group 1
- IEC 60529, IP 21

Agency Approvals

- UL 60601-1 (1st Edition)
- EN 60601-1-2; CISPR 11B
- CAN/CSA C22.2 No 601.1-M90

Get Started

For more information about **DICOM** box **CA**, contact us at +1 925 225 6100 or email getstarted@pacsgear.com